

# Minivator Bath Bliss Recliner



**User manual**  
**Handbuch**  
**Guide d'utilisation**  
**Manual del usuario**  
**Manuale d'uso**





## For your safety

Fully read this manual prior to using your Minivator Bath Lift. Failure to do so may result in damage to your bath lift or injury.

Serial No. Found on the Hand Control:

**Supplier/dealer stamp**

For service or repair consult your Supplier or Dealer for advice.

Only authorised persons should service or repair your Minivator Bath Lift.

### Important information

#### Your Bath Lift

- Your Minivator Bath Lift is designed as a bathing aid only. Never use the Bath Lift for any other purpose, such as a stand or lifting device.
- Never allow children to operate or play with the Bath Lift.
- Keep animals away from the Bath Lift.
- The Bath Lift contains no user serviceable parts. In the event of damage or malfunction please contact your Minivator Dealer or our Customer Service Department on 08700 118282.
- Do not use any abrasive cleaning agents – this may permanently damage the Bath Lift.
- Do not store the Bath Lift near a heat source.
- If the Bath Lift has been stored in low temperatures for a prolonged period of time, allow it to reach room temperature before operating.

#### Your Hand Control

- **Your hand control must be charged for 24 hours before first use to ensure optimum battery life.**
- Always disconnect the handset before transporting the Bath Lift.
- Only original hand controls manufactured by Minivator may be used.
- Only charge the hand control in dry rooms, i.e. not in the bathroom.
- Only original battery chargers should be used. Use of an incorrect charger could damage the batteries and will invalidate the warranty.
- Do not use the hand control if there are any obvious signs of damage.
- Never store the hand control near a heat source.
- Never throw the hand control into an open fire – this could cause an explosion.
- Do not insert any items into the open socket of the hand control.
- Clean the battery charger with a dry cloth only.

#### Use your Bath Lift safely

- Before using the Bath Lift for the first time familiarise yourself with its operation by driving the lift up and down and testing the emergency stop button. This will also ensure that the Bath Lift is operating correctly before you use it.
- Do not operate the Bath Lift if a fault has occurred – contact your Minivator dealer or our Customer Service department on 08700 118282.
- Never place your hand between the edge of the bath and the Bath Lift whilst operating the Bath Lift to prevent injury.
- Always sit in the middle of the seat with your back up against the back rest.
- The Bath Lift should only be operated by persons that can safely control the system, i.e. people with severe mental or physical disabilities should consult a healthcare professional before using a Bath Lift.



## Introduction

Thank you for choosing a Minivator Bath Lift to assist you in your bathing needs. Please read these operating instructions carefully before use. Your Minivator Bath Lift has been designed and built with careful attention to detail. In order to ensure many years of trouble free use please follow the instructions carefully.

**Please contact your Minivator dealer or our Customer Service Department in the United Kingdom on 08700 118282 if your Bath Lift requires attention and we would be pleased to help you.**

Minivator recommends that you do not undertake maintenance tasks other than the routine care explained in this handbook. Please contact your supplier or Minivator dealer if you require further information.

A maintenance check is recommended every 2 years.

Maximum user weight for this Bath Lift is 130kg, or 290lbs, or 20½ stones.

## Manufacturing Standards

Minivator has been accredited as conforming to the international standard of manufacturing, recognised by the award of ISO 9001.

Minivator is audited regularly to ensure we continue to conform to ISO 9001 which ensures you have a high quality, well manufactured product.

## Contents

	Page
Introduction and Manufacturing Standards	3
Features of your Minivator Bath Lift	4
Unpacking your Minivator Bath Lift	5
Assembling your Minivator Bath Lift	6
Setting the backrest to the final reclined positions	7
Installing your Minivator Bath Lift	9
Correct Seating	10
Operating the Battery Unit/ Hand control	11
Removing the Bath Lift from the bath	12
Recharging your Battery/ Hand Control	13
Removing the covers and cleaning and washing Instructions	14

### Features of your Minivator Bath Lift

- ❶ Raised tactile feature
- ❷ Battery unit/hand control
- ❸ Reclining backrest
- ❹ Folding side panels
- ❺ Mains operated charger
- ❻ Side straps
- ❼ Removable and washable covers
- ❽ Powerful suction cups



## Unpacking your Minivator Bath Lift

Remove all the items from the box. These are:-

- The Bath Lift complete with covers.
- The Battery Unit/Hand Control. This is permanently sealed, and the batteries are not removeable or replaceable, they are rechargeable.
- The mains powered battery charger.
- The two side straps.

See Fig. 1.

### IMPORTANT NOTICE

**Before you use your Minivator Bath Lift you MUST charge the battery unit for a MINIMUM of 24 hours.**

**This will 'condition' the batteries and prepare them for first use.**

For ease of handling when unpacking, the Bath Lift may be split into two separate components, by lifting the backrest approximately 30° using the actuator bar as a handle, and lifting it clear of the base unit, see Fig. 2 and 3.

⚠ Note: The Minivator Bath Lift is fitted with a patented mechanism that prevents the scissor action from opening until the Bath Lift is correctly assembled.

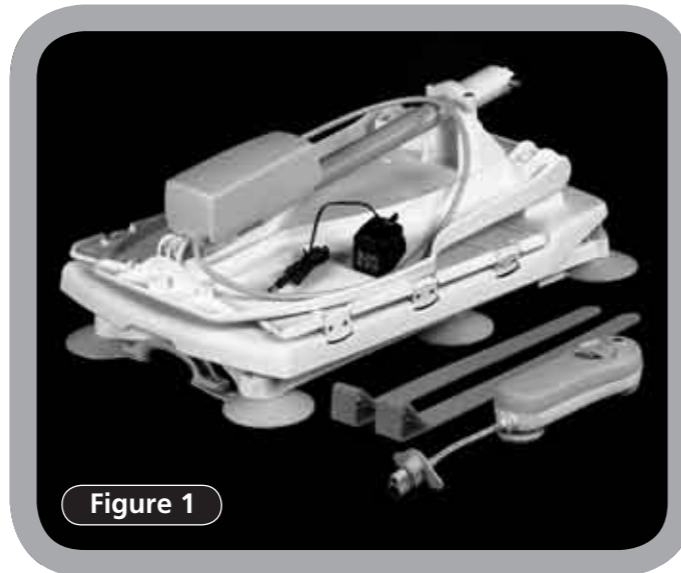


Figure 1

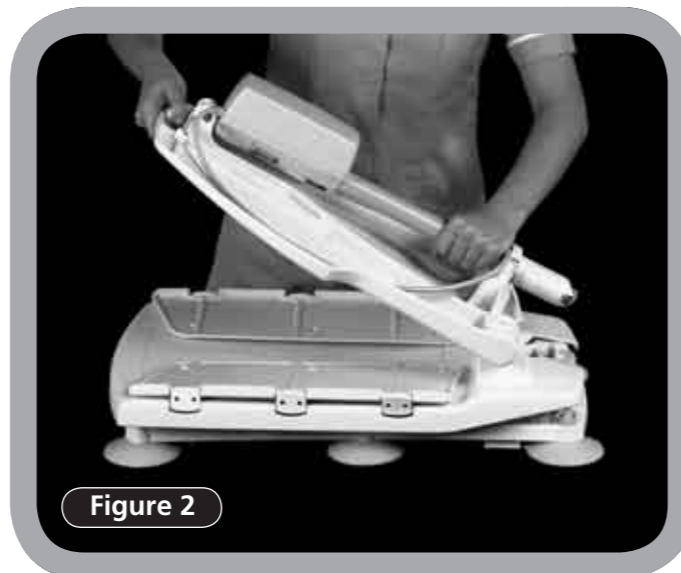


Figure 2



Figure 3

## Assembling your Minivator Bath Lift

Place the Bath Lift base unit in the required position in the bath.

Locate the backrest mounting the lugs into their receivers on the base unit, as shown in Fig. 4.

### Recline positions

Position 1 gives a fully reclined angle of 10° from the vertical.

Position 2 gives a fully reclined angle of 35° from the vertical.

Position 3 gives a fully reclined angle of 45° from the vertical.

See Fig. 5.

⚠ Note: Do not connect the battery unit/hand control to the Bath Lift until it is assembled and in the reclined position in the bath. The battery unit/hand control MUST be fully charged.

⚠ Note: Ensure that there are no obstacles to interfere with the Bath Lift when setting the recline angle.

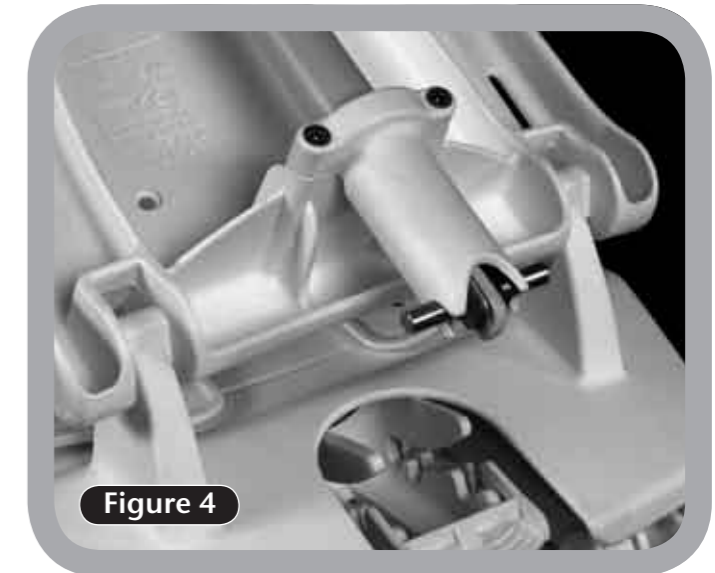


Figure 4

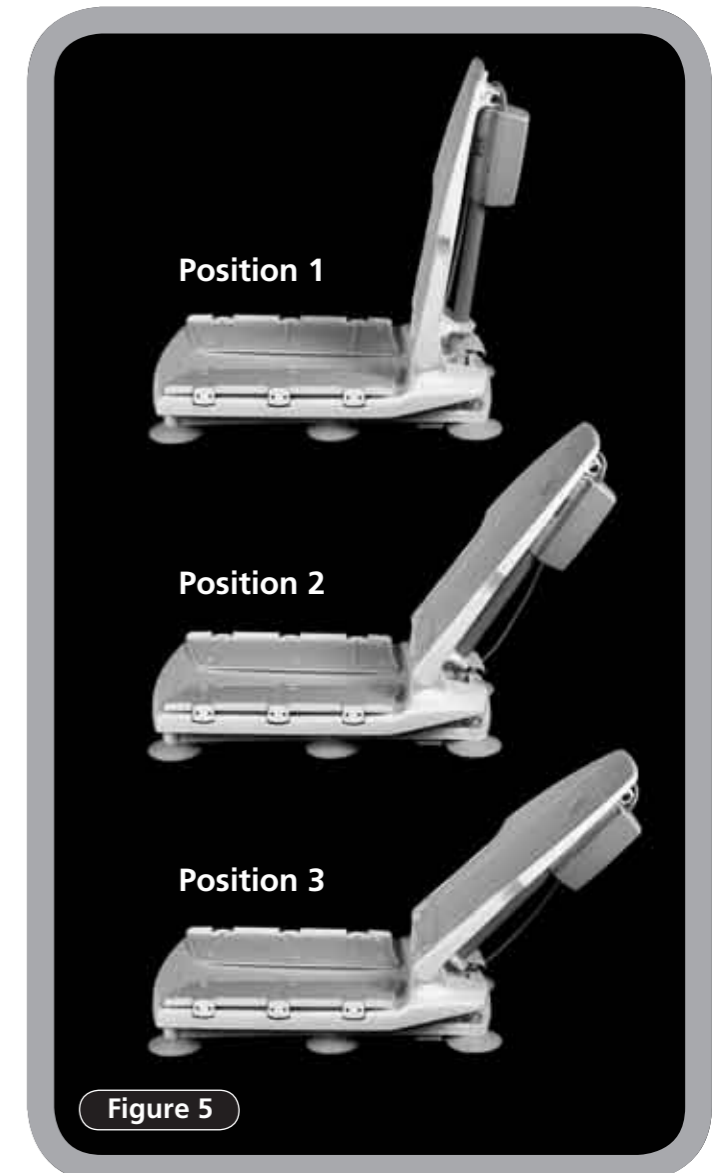


Figure 5

## Setting the backrest to the final recline positions

The backrest has three final reclined positions 10°, 35° and 45° (from the vertical).

To set the angle at 10° (Fig. 6) pivot the backrest until the locking cross bar on the bottom of the rod can locate into the 1st notch on the locking mechanism, as shown in Fig. 7.

**⚠ Note:** The cross bar must not be powered when it is out of its locating collar on the actuator, i.e. do not use the hand control unless the actuator is located correctly.

To set the angle at 35° (Fig. 8) press the release lever (Fig. 10 and 11) gently and allow the backrest to recline further and the locking cross bar to locate into the 2nd notch on the locking mechanism (Fig. 7).

To set the angle at 45° (Fig. 9) press the release lever (Fig. 10 and 11) gently and allow the backrest to recline further and the locking cross bar to locate into the 3rd notch on the locking mechanism (Fig. 7).

Refolding your Bath Lift is the reverse of assembling.

The release lever must be pressed (Fig. 10 and 11), then gently fold the backrest over until it touches the seat (Fig. 12).

**⚠ Note:** Always ensure that the seat is at its fully lowered and reclined position before refolding the backrest.

**⚠ Note:** Ensure that there are no obstacles to interfere with the Bath Lift when setting the desired recline angle.



Figure 6

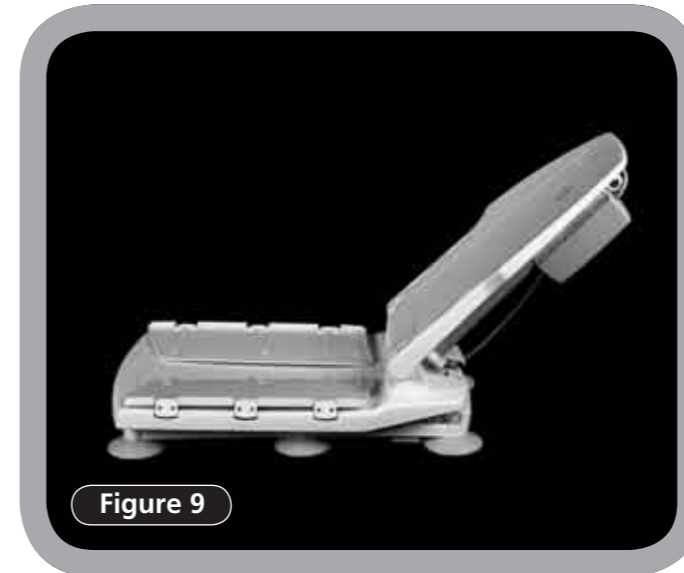


Figure 9



Figure 12

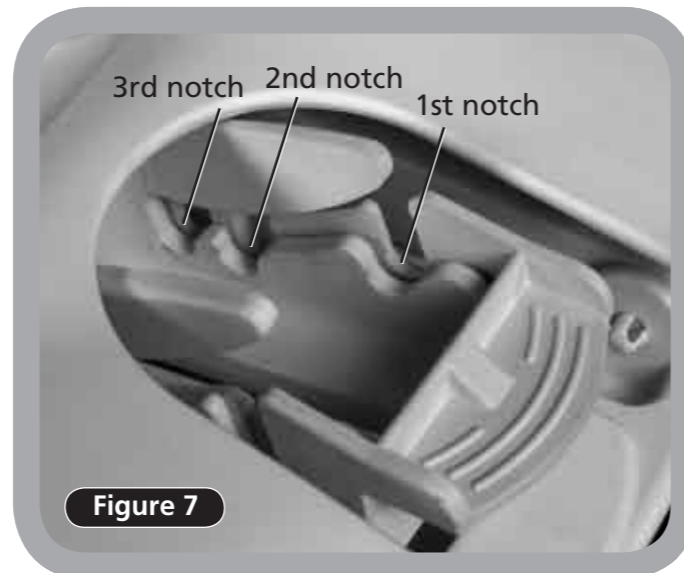


Figure 7

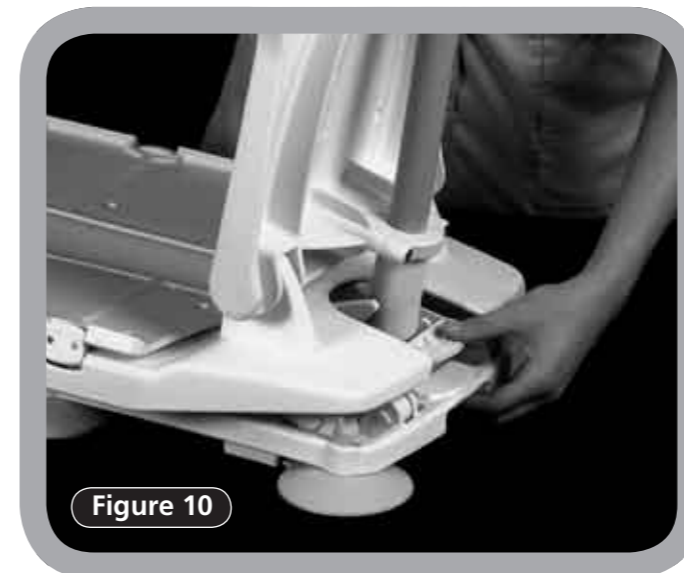


Figure 10



Figure 8

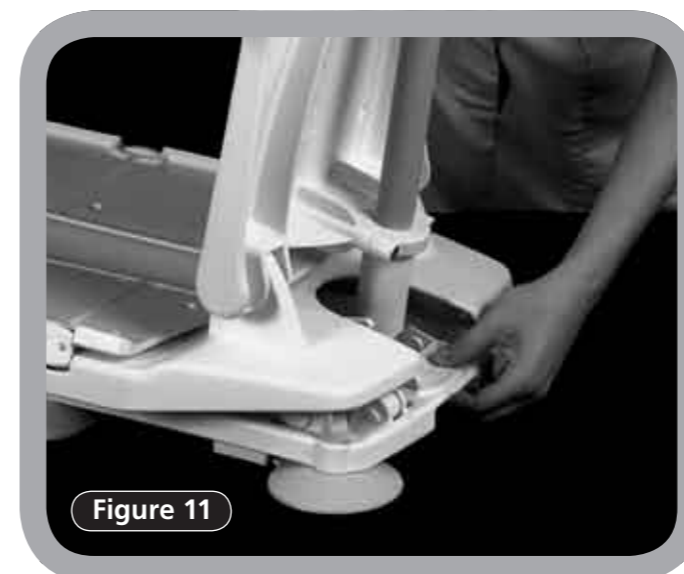


Figure 11

## Installing your Minivator Bath Lift

### Installing your Minivator Bath Lift safely

Your Minivator Bath Lift should be fitted into the bath as shown in Fig. 13, and held in place by the six powerful suction cups.

Before every use.

- Ensure the bath is clean, and free from debris. Check to confirm effective adhesion by the suction cups.
- Allow sufficient space behind the Bath Lift for the backrest to recline.
- Ensure no obstacles will impede the Bath Lift. E.g. soap dishes, overflows, taps, etc.

⚠ Suction cups will not adhere to non-slip or textured surfaces.

### Fitting side straps - where bath handles are present

Ensure that the side straps are located over bath handles (Fig. 14) - these straps allow the Bath Lift's folding side panels to rise smoothly, and without becoming trapped or impeded on the bath's handles.

⚠ Note: The Bath Lift can be damaged if side straps are not fitted to bath handles.

### Connecting the Battery Unit/ Hand Control to the Bath Lift

Plug the Bath Lift power lead fully and firmly into the fully charged Battery Unit/Hand Control as shown in Fig. 15.

#### ⚠ EMERGENCY STOP

The Bath Lift hand control is fitted with an emergency stop button. Pressing this button will stop the Bath Lift.

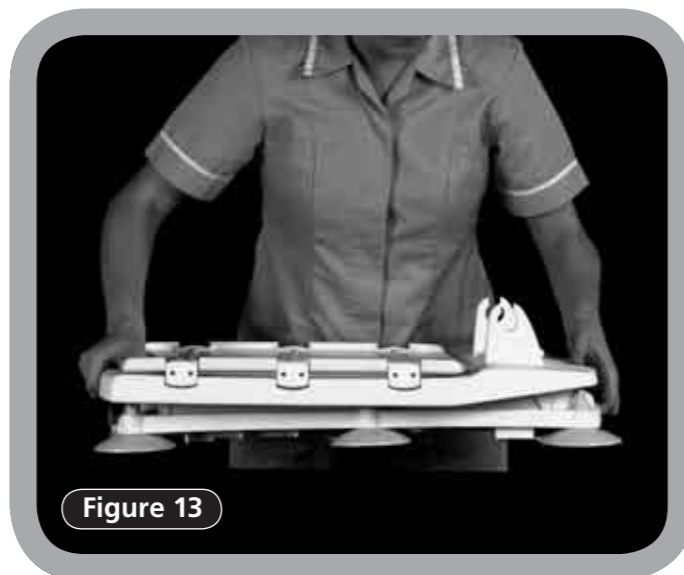


Figure 13

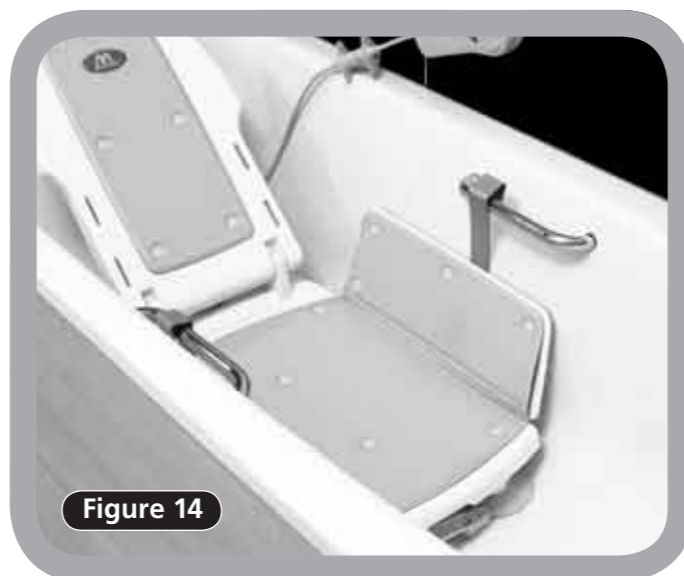


Figure 14

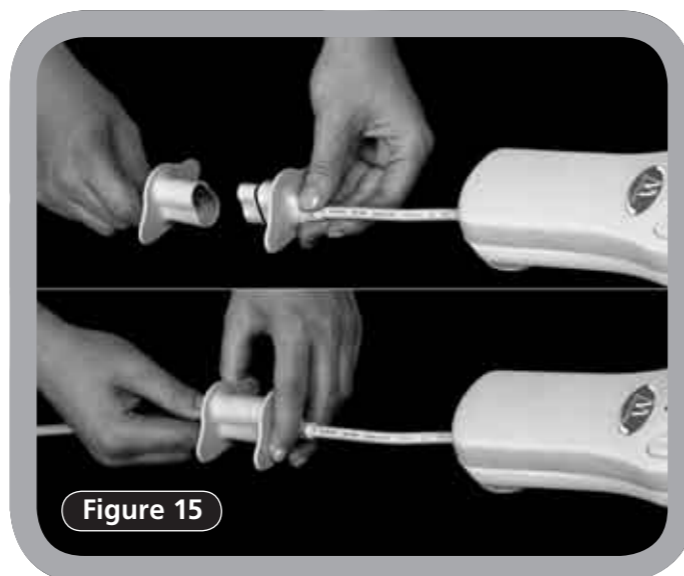


Figure 15

## Correct Seating

When using your Bath Lift always ensure the side panels are correctly positioned, these should be level and over the edges of the bath as shown in Fig. 16.

⚠ Avoid using the seat back as a means to steady yourself.

Facing outwards, sit on to the Bath Lift side panel and then move on to the seat area. Slowly lift your legs separately over into the bath, ease yourself into the central area of the seat. Face forwards and have your legs and feet extended.

Always keep your hands away from the seat, folding side panels and mechanism, when operating the Bath Lift.

⚠ Before using the Bath Lift consider means of requesting help if needed.

⚠ Note: Seek advice from a qualified person such as an Occupational Therapist, if you are in any way concerned over the correct procedure for using the Bath Lift.



Figure 16

## Operating the Battery Unit/Hand Control

Connect the fully charged Battery Unit /Hand Control to the Bath Lift's power lead. You will be able to use the specially designed connectors to make a firm connection. Press the down button to lower and the up button to raise the Bath Lift.

**⚠ Note:** The UP and DOWN buttons have tactile features to aid the visually impaired (Fig. 17).

If you wish to recline the backrest further, when the seat has reached its lower position continue to press the down button, this will recline the backrest further.

When the desired angle is reached release the button.

To raise the backrest, press the UP button. Continue to press the UP button to raise the seat to the original position - level with the bath edges.

The Hand Control can be fitted on to a smooth surface by using the suction cups underneath (Fig. 18). To release just press the edge of the sucker rim.

**⚠ Note:** The Battery Unit/Hand Control has a built in safety feature. If the batteries do not have sufficient power to lower and then raise the Bath Lift – the unit WILL NOT DESCEND. An amber warning light will appear inside the battery symbol to indicate low power, see Recharging on page 13.



Figure 17



Figure 18

## Removing the Bath Lift

You should always remove the Bath Lift from the bath in 2 sections; backrest and base unit.

To remove the backrest ensure the seat is at its fully lowered position before refolding and removing the backrest.

The release lever must be pressed (Fig. 19), then gently fold the backrest over until it touches the seat (Fig. 20).

Raise it again by 30° until you can lift it away.

Fold the side panels over onto the seat.

Pull the release strap on the top of the front handle to release the front suction cups (Fig. 21).

When they are free gently tilt the Bath Lift by the front handle NOT BY THE RELEASE STRAP. This will release the rear suction cups.

**⚠ Note:** Damaged suction cups should be replaced immediately. Consult your supplier or Minivator dealer.

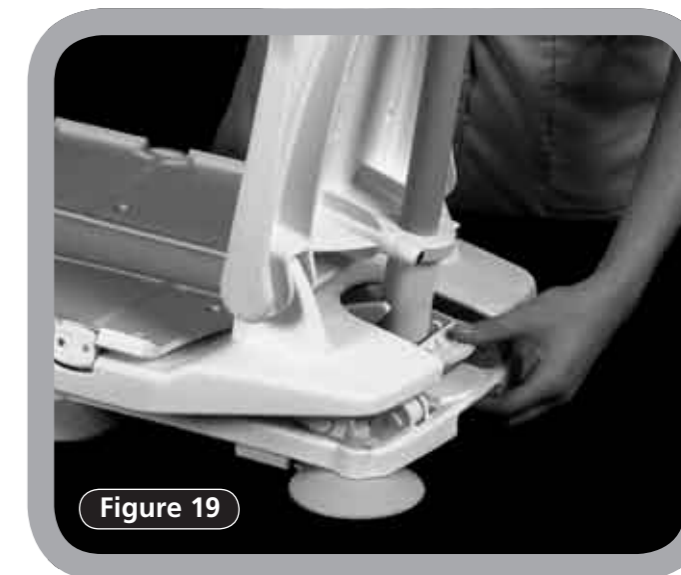


Figure 19

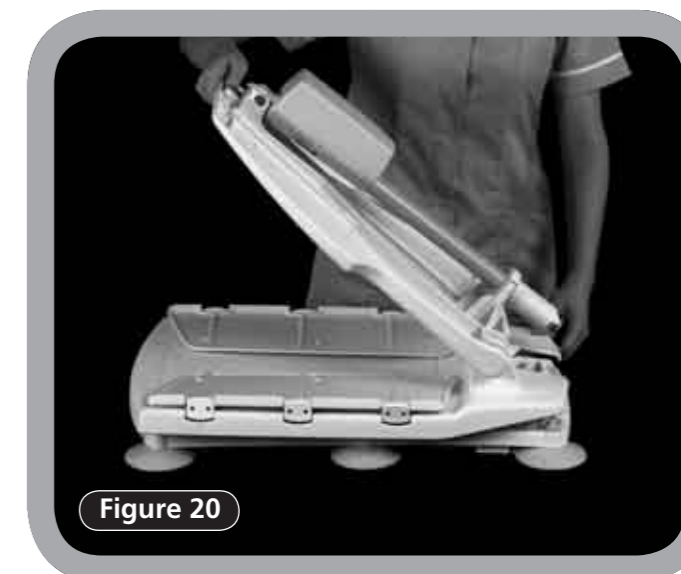


Figure 20



Figure 21



## Recharging the Battery Unit/Hand Control

⚠ Note: It is strongly recommended that the Battery Unit/Hand Control is recharged after every use.

Unplug the Battery Unit/Hand Control from the Bath Lift power lead, as shown in Fig. 22. Plug the charger into the small jack socket on the connector (Fig. 23).

⚠ Note: Never unplug the connectors shown in Fig. 22 by pulling on the cables or Hand Control. This may damage the cables.

Plug the charger into a suitable mains supply. A warning light on the charger will illuminate to show it is on.

**The amber light on the Battery Unit/Hand Control indicates the unit needs to be recharged soon.**

**The red warning light on the Battery Unit/Hand Control indicates the unit needs to be recharged immediately.**

**The need to recharge with increased frequency indicates the complete Battery unit/Hand control needs replacing.**

⚠ Note: It is recommended that the Battery Unit/Hand Control is recharged for 8 hours.

Shorter charges are not recommended as these will reduce the batteries' life.

**⚠ SAFETY PRECAUTION!**

When recharging always use a socket away from the bathroom and recharge in a dry environment.

**Disposal of Battery Unit/Hand Control: Please conform to local regulations. Your supplier will advise on this matter.**

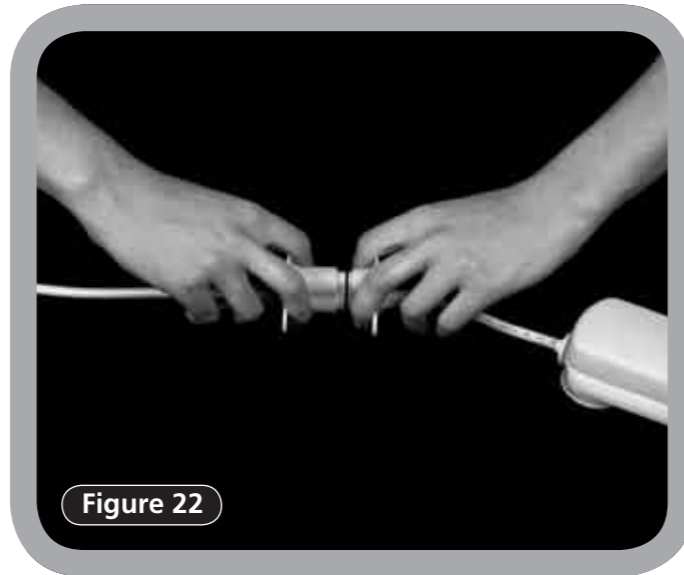


Figure 22

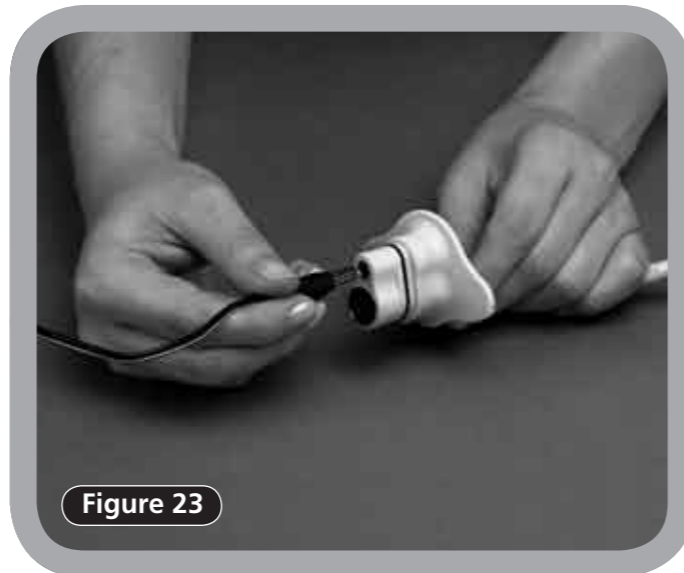


Figure 23

## Removing the covers Cleaning and washing instructions

### Removing and refitting the covers

Place the Bath Lift in an accessible area.

Pull the cover retaining buttons from the seat and backrest mouldings by easing them free, as shown in Fig. 24.

Remove the button assembly from the covers if machine washing.

When replacing, ensure all the buttons are correctly fitted onto the cover and then click the buttons back into the seat and backrest mouldings (Fig. 25 and 26).

⚠ The Bath Lift should not be used without covers.

### Cleaning and washing instructions

Keep your Bath Lift clean and free of residue. Bathroom cleaning and sterilizing materials are safe to use on this product.

Avoid use of abrasive material.

Ensure all areas are thoroughly rinsed before re-using the Bath Lift.

The covers are machine washable at 60°C.

**DO NOT IRON.**

**DO NOT TUMBLE DRY.**

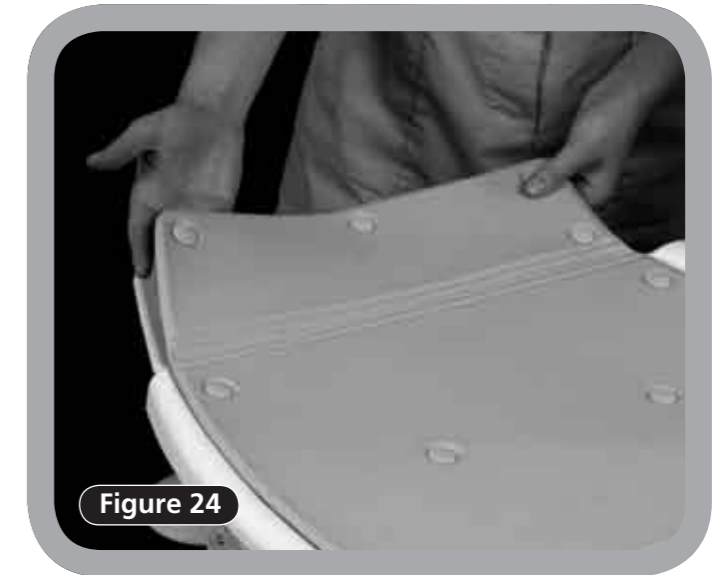


Figure 24



Figure 25



Figure 26



Discount Therapy Equipment, Medical Equipment & Supplies

SCOTTSDALE 480-767-6800 • 1-800-377-8033 • PEORIA 623-215-8470