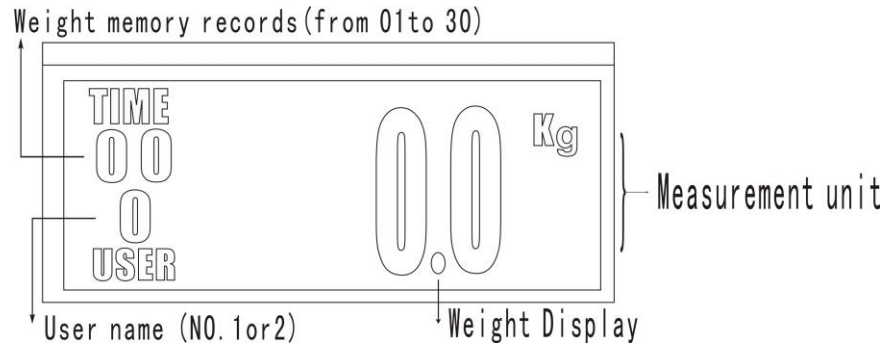


## EXTRA WIDE TALKING SCALE

### JB5824

In order to get the utmost accuracy and lifespan of our product, please read the following instructions before use.



#### ● Function and Characteristics

- Voice function.
- Memory for 2 users. (NO 1 or 2)
- Personal data memory: 30 records for each user.

#### ● Definitions of the keys

**MODE:** - Turns the scale ON

- Displays user's latest weight
- "TIME" record goes back to "00" when viewing recorded weights.

- ▲ - Select user's number (NO.1 or 2)
- Checks the user's memory records. By pressing once, the historical measurement record on the screen will go forward once. (From 01 to 30)

**NOTE: 01 is the latest weight**

- ▼/U – Changes measuring unit: kg-lb. You can only operate this key when you turn on the scale and the screen displays "0.0".
- By pressing once the historical measurement record on the screen will go backward once.

#### Notes:

1. When the display is flashing, no function can be operated.
2. Make sure to place the scale on flat ground.
3. Slightly tapping the scale allows it to turn on.

#### ● Weighing without memory function

Place the scale on flat ground and slightly tap the scale or press "Mode" to turn on the scale. The scale then will display "0.0". Step onto the platform steadily and your weight will be displayed and then read out loud twice. The scale will turn off automatically after reading the weight out loud.

#### ● Weighing with memory function

Turn on the scale and it will display "0.0". Press the ▲ key and the user number will begin to flash. Press the ▲ key to select user (1 or 2). Wait 4 seconds, when scale shows "0.0" step onto the platform and your weight will be displayed and read out loud twice. This weighing data will be saved as the user's latest weight. Each user can save up to 30 recordings.

### ● **Viewing of the historical measurement record**

Turn on the scale and it will display “0.0”, and then press the ▲ key to select user (1 or 2). When the scale shows “0.0”, press the MODE key which will display the user’s latest weight. The memory time will flash; press the ▲ key to view recorded weights from the 1st to your 30th recording. When you are viewing the recorded weights, the scale will not read them out loud.

### ● **Deleting Memory Record**

Turn on the scale and it will display “0.0”, then press the ▲ key to select user (1 or 2). When the scale displays “0.0” press the “MODE” key displaying the users latest weight, then press both “MODE” and “▼/U” for a few seconds. Then all records on that user will be deleted. If you want to delete the other user’s records, re–start the scale and repeat the procedure above.

### ● **Battery installation**

Slide off the battery cover on the back of the scale and connect one 9V battery (not included) onto the proper terminal heads. Slide the battery cover back onto the unit.

### ● **Trouble shooting**

1. “Lo” : weak battery, replace with a new battery (not included)
2. “OL” : scale overload.
3. “Err”: scale incorrect operation.

### ● **Technical Specification**

Max. capacity: 250kg (550 lbs)

Min. capacity: 2kg (4.4 lbs)

Division : 0.1kg (0.22 lb)

Weight mode : kg ,lb

Memory user : 2 users

Operation condition:T:0-40C RH<85 %

Power : 1×9V battery (not included)

### ● **Notes**

1. Place scale on a flat ground.
2. Keep your scale in a dry place to protect the electronics. Avoid extremely high or low temperature environment.
3. The scale is a high precision electronic product; please avoid excessive impact or vibration to the unit.
4. To prevent scratches on the glass panel, don’t wear footwear.
5. Clean with a cloth, don’t use solvents or immerse the scale in water.
6. The product is designed for household use and should not be used for commercial purposes. Please listen to your doctor’s advice.
7. Remove the battery if the scale will not be used again for a long time.

**WARNING:** Do NOT use the Memory Storage Talking Scale on carpet that would reduce the accuracy. Use only on dry and flat ground.