

ADJUSTABLE SUCTION LEVELS
and suction cycles

Pure
expressions™
DUAL CHANNEL
ELECTRIC BREAST PUMP



Item # RTLBP0200

**INSTRUCTION
MANUAL**

drive™

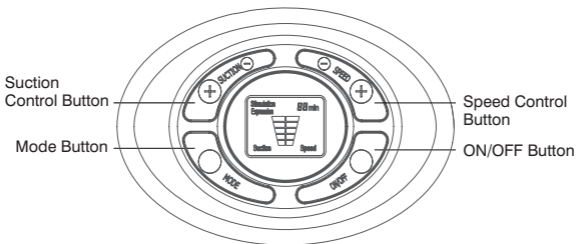
Indications for Use

The Pure Expressions™ breast pump is intended to express and collect milk from lactating women and maintain the ability of lactation to complement breast feeding. The device is intended for a single user only.

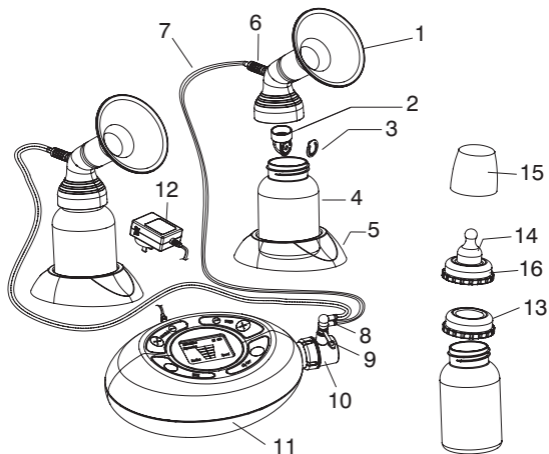
Descriptions

Pure Expressions is a double electric or battery-operated breast pump that is to be used when a baby would normally be breast feeding, which is multiple times daily. The device is capable of single and double pumping, and has two pumping modes: Stimulation Mode and Expression Mode.

Control Panel Description



Parts Guide



- | | |
|-------------------------|-------------------------|
| 1. Breast Shield (2) | 9. Double-Connector Cap |
| 2. Valve (2) | 10. Collector |
| 3. Membrane (2) | 11. Pump Unit |
| 4. 4-Ounce Bottle (2) | 12. A/C Adapter |
| 5. Bottle Stand (2) | 13. Bottle Cap (2) |
| 6. Single-Connector (2) | 14. Nipple |
| 7. Tubing (2) | 15. Clear Bottle Cap |
| 8. Double-Connector | 16. Disc Collar |

****Additional Parts: External Battery Pack (1)***

(requires 6 new AA alkaline batteries, not included)

Symbol List

The following symbols may appear in this manual, on the device, or on the device's accessories.



DISPOSAL: Do not dispose as unsorted municipal waste. Electrical waste must be disposed of separately or recycled.



CAUTION: Refer to the Warnings and Precautions information located in the Instructions for Use Guide.



REFERENCE: Refer to the Instructions for Use Guide.

S/N

SERIAL NUMBER: Information is located on the device.

MANUFACTURED FOR:

Medical Depot (DBA Drive Medical)

99 Seaview Blvd.

Port Washington, NY 11050

Tel: (866) 694-5085 | Fax: (516) 998-4601

Website: www.drivemedical.com

Technical Performance & Specifications

| | |
|--------------------------------------|---|
| A/C Adapter | Input 100-240V~50/60Hz, .3A Output 9V-1.6 |
| Stimulating Velocity | 88T/min |
| Stimulating Intensity | -0.018MPa (Max.), 3 adjustable degrees |
| Suction Velocity | 34-63T/min, 5 adjustable speeds |
| Suction Intensity | -0.028MPa (Max.), 5 adjustable degrees |
| Noise | 60dB(A) |
| Operating Conditions | 5~40°C, 10~85% Rh |
| Storage and Shipping Conditions | -20~50°C, 10~90% Rh |
| Electronic Protection Equipment Type | Class II |
| Applied Part Type | Type BF |
| Water and Dust Protection Class | IP32 |
| Compliance with Standard | IEC 60601-1 |

Warnings and Precautions

Basic safety precautions should be taken when using electrical products, especially around children.

Warning: If you are a mother who is infected with Hepatitis B, Hepatitis C or Human Immunodeficiency Virus (HIV), pumping breast milk will not reduce or remove the risk of transmitting the virus to your baby through your breast milk.

WARNING:

- The power adapter is a part of the breast pump.
- Always unplug electrical device immediately after use.
- Do not use while bathing.
- Do not place or store device where it can be submerged in water.
- Do not reach for device if it has fallen in water. Immediately unplug from the electrical outlet.
- Do not leave device unattended when plugged into an electrical outlet.
- Do not position the breast pump such that it is difficult to disconnect the adapter plug from the main power supply.
- Close supervision is necessary when used near children or people with disabilities.
- Use product only for its intended use. Do not use attachments not recommended by the manufacturer.
- Keep cord away from heated surface.
- Never use while sleepy or drowsy.
- Never drop or insert objects into any opening or tubing.
- Do not use outdoors or operate where aerosol products are being used, or where oxygen is being administered.
- Always inspect power adapter and batteries prior to use for damage and exposed wires. If damage is found, immediately

discontinue use of power adapter.

- Do not operate during transportation.

WARNING: To avoid health risk and reduce the risk of injury:

- This device is intended for single user only and should not be shared between users.
- Do not drive while pumping.
- Never use while pregnant, as pumping can induce labor.
- Clean and sanitize all parts that come in contact with your breast and breast milk prior to first use. Wash all parts that come in contact with your breast and breast milk after every use.
- Inspect all appropriate pump components before each use.
- Do NOT continue pumping for more than two consecutive pumping sessions if no results are achieved.
- Do not thaw frozen breast milk in a microwave or in a pan of boiling water.
- If tubing becomes moldy, discontinue use and replace tubing.
- If breast milk backup occurs, clean the tubing before your next pumping session.

WARNING: Avoid the following, which could lead to minor injury:

- DO NOT wrap cord around adapter body.
- Use only the power adapter that comes with the Pure Expressions breast pump.
- Pump only with the breast pump in an upright position.
- DO NOT shorten tubing.
- Make sure the voltage of the power adapter is compatible with the power source.
- Plug the power adapter into the breast pump first, then into the power source.
- DO NOT use antibacterial or abrasive cleaners/detergents when cleaning breast pump or breast pump parts.

- Never put breast pump motor in water or sterilizer, as permanent damage can be caused to the device.
- DO NOT attempt to remove the breast shield from your breast while pumping. Turn the breast pump off and break the seal between your breast and breast shield with your finger, then remove the breast shield from your breast.
- If pumping is uncomfortable or causing pain, turn the unit off, break the seal between the breast and the breast shield with your finger and remove breast shield from your breast.
- If experiencing pain in the breast or nipple, discontinue pumping by shutting off the device or breaking the suction with your finger, even if you think the pump is not the source of the pain.

NOTES: To avoid health risk and reduce the risk of injury:

- Plastic bottles and component parts become brittle when frozen and may break when dropped.
- Take appropriate care in handling bottles and components.
- Do not use the breast milk if bottles or components become damaged.

Cleaning Instructions

Basic Cleaning Method

1. Rinse each piece that comes into contact with the body and or milk with cool water immediately after pumping.
2. Wash each piece separately using liquid dishwashing soap and plenty of warm water.
3. Rinse each piece thoroughly with warm water for 10-15 seconds.
4. Place the pieces neatly on a clean paper towel or in a clean drying rack and allow them to air dry.

5. Avoid using cloth towels to dry the pump parts because they can carry germs and bacteria that may contaminate the breast milk.
6. Once the pump parts are dry, assemble the pump before storage or use.
7. Try not to touch the inside of any parts that will come in contact with your breast milk.

Cleaning Breast Pump Parts

- All breast pump parts that come in contact with your body and milk, such as bottles, valves, and breast shields, should be cleaned after each use.
- Wash the pieces thoroughly to remove germs and bacteria with liquid soap and warm water.
- It is not necessary to clean the breast pump tubing unless breast milk gets into it.
- If you must wash the tubing, ensure the tubing is hung up to air dry before attaching it to the pump. If any moisture/condensation appears in the tubing after pumping, turn the pump on until the tubing is dry.

Cleaning the Electrical Unit:

Electrical units, which house the motor and batteries, should be wiped with a clean paper towel or soft cloth after each use.

The electrical unit should never be put into water or other liquids for cleaning. It should also never be sterilized in a microwave sterilizer.

Assembling the Expression Collection Kit

Pure Expressions comes pre-assembled, however you must reassemble the device after each cleaning. All parts of the device and accessories that come in contact with the breast milk, including the bottle, breast shield, membrane, and valve, should be cleaned and sterilized after each use.

Be sure to wash hands before touching the breast pump and accessories, and avoid touching the inside of containers or lids.

1. Press the Membrane (3) into the holes of the Valve (2). The membrane should be pressed flat and tight.



2. Mount the assembled valve with membrane connected to the Breast Shield (1).



3. Screw the Bottle (4) into the breast shield.



4. Connect two tubes to the Double-Connector (8) separately and connect the other end of the tubing to the Single-Connector (6). Then insert the Single-Connector into the hole of the breast shield.



5. Connect the Double-Connector to the Collector (10).



(NOTE: For single-pumping use with one breast, disconnect one tube from the Double-Connector and insert into the Double-Connector Cap (9) instead. When switching to single-pumping the suction power at each level will be slightly stronger than that of double-pumping suction. Be sure to adjust the vacuum to a comfortable level.)



Connecting the Expression Collection Kit and Pump Unit

1. Connect the Collector (10) to the pump's air vent.



2. Attach the power cord to the pump unit. Then plug the A/C Adapter (12) into the wall socket outlet.



Device Operation

Wash hands before touching the breast pump, kit, and breasts. Avoid touching the inside of accessories, containers, or lids.

Always inspect breast shields, connectors, valves, and tubing prior to use for cleanliness.

If you experience pain or other symptoms while pumping, contact a healthcare professional.

Do not try to express with a vacuum that is too high and uncomfortable.

Make sure tubing is not kinked or pinched while pumping.

Contact your healthcare professional if you express minimal milk or no milk, or if expression is painful.

1. Place the Breast Shield over your breast so that your nipple is properly centered in the tunnel.
2. While the pump unit is connected to power source, press the ON/OFF button to switch on the device.

3. The Pure Expressions breast pump operates in two modes: Stimulation and Expression. Once the device is turned on, the timer will start and the pump will begin simultaneously in the Stimulation Mode at a fixed speed (88T/min) for two minutes. The device will then move to the Expression Mode at Suction Level 2 with Speed Level 1 (factory default).
4. If your milk starts to flow earlier, press the MODE button to toggle between Stimulation and Expression modes. Make sure the milk is flowing into the bottle properly. If you do not press the MODE button, the pump will automatically switch to Expression mode after two minutes.
5. Press the MODE button to toggle between Stimulation and Expression modes.
6. To adjust the suction to your comfort level during pumping, press the "+" on the SUCTION CONTROL button to increase the suction, or the "-" to decrease the suction.
7. To adjust the speed to your comfort level during pumping, press the "+" on the SPEED CONTROL button to increase the speed, or the "-" to decrease the speed.
8. Once you are finished pumping, switch off the breast pump, unplug the device, and disassemble the pump. Clean the device and accessories per the Cleaning Instructions. Close the bottle and store it for later use.

Guidelines for Storing and Thawing Breast milk

You should store and thaw your breast milk correctly. This is the only way you can be sure that all the important nutrients are preserved and bacterial contamination is minimized.

Check with your hospital for specific instructions.

Breast Milk Storage (For Healthy Term Babies)*

| | Freshly Expressed Breast Milk | Thawed Breast Milk (Previously Frozen) |
|--|-----------------------------------|--|
| Room Temperature | Up to 77°F or 25°C; 6-8 hours | 6-8 hours; Do not refreeze after thawing |
| Insulated Cooler Bag (Keep ice packs in contact with milk containers at all times; limit opening the cooler bag) | 5-39°F or -15-4°C; up to 24 hours | 24 hours; Do not refreeze after thawing |
| Refrigerator (Store milk towards back of the refrigerator, where temperature is most constant) | 39°F or 4°C; up to 5 days | 10 hours; Do not refreeze after thawing |
| Freezer (Store milk towards back of the freezer, where temperature is most constant) | -4°F or -20°C; 6-12 months | Do not refreeze after thawing! |

**This information is for use as a guideline only. For more information on proper handling and storage of breastmilk, visit www.fda.gov, www.aap.org, or www.cdc.gov, or consult your lactation consultant.*

Tips for Freezing/Thawing Breast Milk:

- Do not refreeze breast milk after thawing.
- Never fill bottles/bags more than 3/4 to allow space for expansion.
- Label the bottle/bag with the date you expressed the milk.
- Do not store breast milk in the door of the refrigerator, store in the back of the main body of the refrigerator to avoid fluctuations in temperature.
- In order to preserve the components of the breast milk, thaw in the refrigerator overnight or by holding the bottle/bag under running warm water (max. 37°C/98.6°F).
- Gently shake the bottle/bag to blend any fat that has separated.
- Milk stored for longer durations in the ranges listed is safe, but some of the lipids in the milk undergo degradation resulting in lower quality.
- Do not thaw frozen breast milk in a microwave oven or in a pan of boiling water (danger of burning).

Troubleshooting

If problems arise during the use of the breast pump, please consider the following troubleshooting remedies.

Weak suction

- Check to make sure all connections are tight to ensure there are no air leaks.
- Check to ensure the tubing is not kinked.
- Check to see if dried up milk residue resides in the tubing. If there is residue present, disassemble and clean per the enclosed instructions.
- Inspect the Breast Shield, valves, tubing, and other accessories for chips, cracks, or other defects. If flawed, replace the parts immediately.

Device Will not Power On

- Check to make sure the outlet is properly functioning.
- Ensure the power supply is correctly connected to the pump unit.

Milk Backflow

- Immediately shut off the device and clean the tubing, connector, and other accessories.

Disposal

Medical equipment and devices should be disposed of in proper containers that meet Environmental Protection Agency standards. Check with local State Laws & Regulations to see what is required in your state or contact your local representatives.

Warranty Information

Limited Consumer Product Warranty (United States)

This Drive Medical Electric Breast Pump is warranted to the original consumer “the purchaser” to be free from defects in material and workmanship which are not commercially acceptable for the period of one year from the date of purchase on the pump mechanism and a period of 120 days on all other components.

Warranty coverage terminates if you sell or otherwise transfer this product to another person. This warranty gives you specific legal rights and you may also have other rights, which vary by location.

DRIVE MEDICAL MAKES NO EXPRESS WARRANTY OF ANY KIND REGARDING THIS PRODUCT OTHER THAN THOSE WARRANTIES SET FORTH HEREIN. ANY IMPLIED WARRANTY, INCLUDING ANY IMPLIED WARRANTY OF MERCHANTABILITY OR ANY IMPLIED WARRANTY OF FITNESS FOR A PARTICULAR PURPOSE TO THE EXTENT PERMITTED BY LAW, SHALL BE LIMITED IN DURATION TO A PERIOD OF 120 DAYS FROM THE DATE OF PURCHASE BY THE ORIGINAL PURCHASER.

In the event that this product is found by Drive Medical to not meet the above limited warranty, as purchaser's sole and exclusive remedy, Drive Medical will repair or at the option of Drive Medical, replace this product without charge for such replacement parts or labor. The purchaser shall bear all expenses related to returning this product to Drive Medical. This warranty does not apply to any part of the product that has been subject to misuse, abuse, or alteration. Only Drive Medical brand replacement parts are recommended for use with Drive Medical breastfeeding products. Improper or incorrectly performed maintenance or repair, or use of non-Drive Medical brand replacement parts voids this warranty.

TO THE EXTENT PERMITTED BY LAW, DRIVE MEDICAL SHALL NOT BE LIABLE FOR ANY INCIDENTAL OR CONSEQUENTIAL DAMAGES INCLUDING, BUT NOT LIMITED TO, REPLACEMENT COSTS RESULTING FROM THE BREACH OF ANY WRITTEN OR IMPLIED WARRANTY.

If you wish to make a claim under this warranty, you will need the following:

- The entire original Drive Medical product
- The original receipt showing date of purchase
- Return Authorization Number (RA#)
- Detailed description of the problem

You, the purchaser, are responsible for all shipping charges. Do NOT send product without a RA#.

Pure 
expressions™
DUAL CHANNEL
ELECTRIC BREAST PUMP

Manufactured for:
©2017, Medical Depot Inc.,
DBA Drive Medical
Design and Manufacturing
99 Seaview Blvd., Port Washington, NY 11050
All Rights Reserved. Made in China.

Call us toll-free 866-694-5085

Item # RTLBP0200

drive™