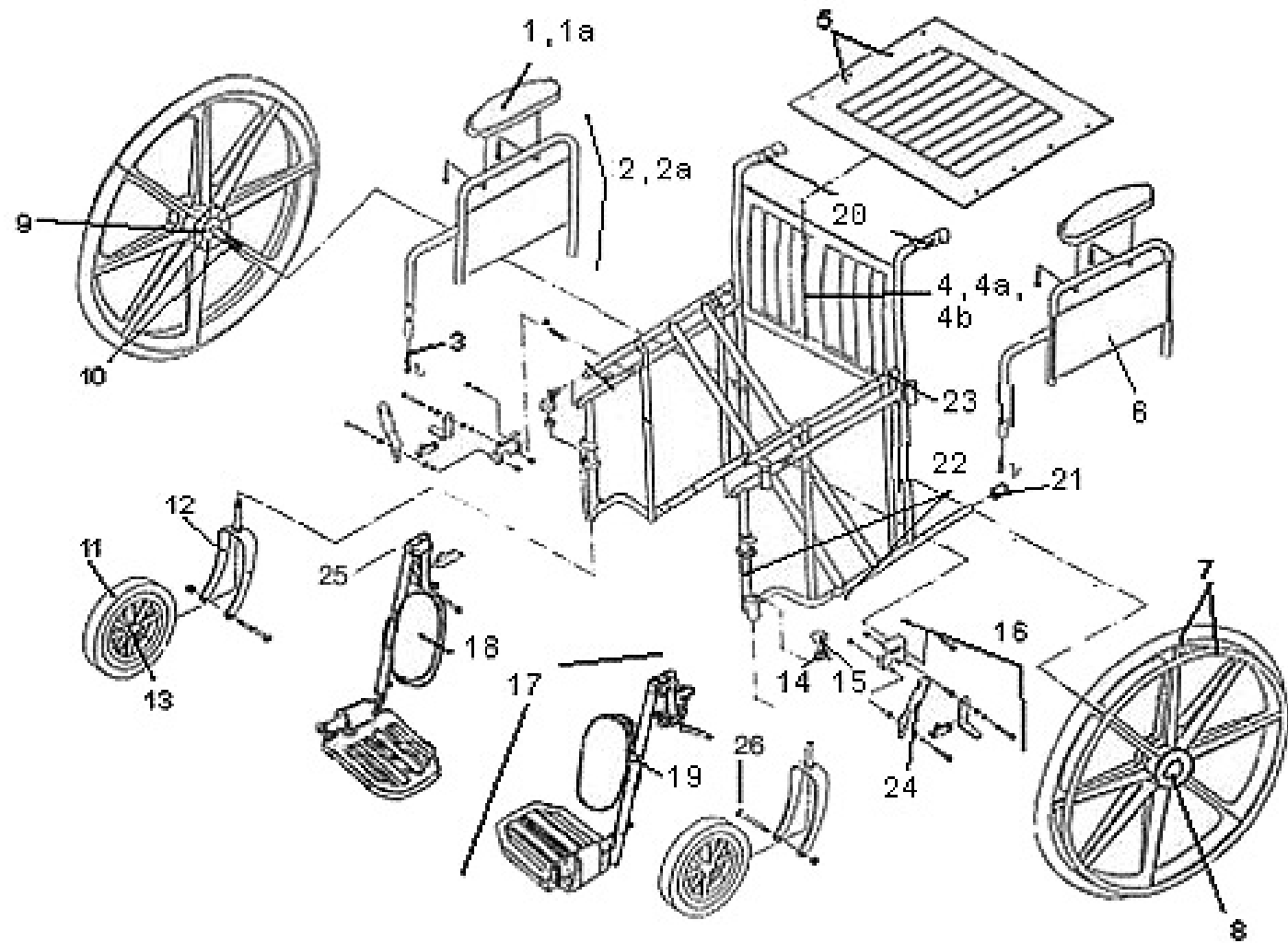




Excel Extra-Wide

Excel Extra-Wide with Removable Arms and Elevating Legrests

Chair	Size	Arm Style	Leg Style
MDS806750	20" (50.8cm)	Removable desk-length arms	Elevating leg rests
MDS806750FLA	20" (50.8cm)	Removable full-length arms	Elevating leg rests
MDS806850	22" (55.9cm)	Removable desk-length arms	Elevating leg rests
MDS806850FLA	22" (55.9cm)	Removable full-length arms	Elevating leg rests
MDS806950	24" (60.9cm)	Removable desk-length arms	Elevating leg rests



Excel Extra-Wide Wheelchair Parts List

MDS806750, MDS806750FLA, MDS806850, MDS806850FLA, MDS806950

Number	Description	Part Number
1	ARMREST PAD, DESK LENGTH, EACH	WCA806915NVY
1a	ARMREST PAD, FULL LENGTH, EACH	WCA806910NVY
2	ARMREST ASSEMBLY, DESK LENGTH, REMOVABLE, PAIR	WCA806960
2a	ARMREST ASSEMBLY, FULL LENGTH, REMOVABLE, PAIR	WCA806961
3	ARMLOCK PIN FOR REMOVABLE ARMS, EACH	WCA806903
4	UPHOLSTERY SET W/SCREWS, 20" WIDE, FOR MDS806750	WCA806927NVYS
4a	UPHOLSTERY SET W/SCREWS, 22" WIDE, FOR MDS806850	WCA806926NVYS
4b	UPHOLSTERY SET W/SCREWS, 24" WIDE, FOR MDS806950	WCA806925NVYS
5	SCREW AND WASHERS, SEAT & BACK UPHOLSTERY	WCA806975
6	CLOSE GUARD PANELS	WCA806961
7	REAR WHEEL ASSMBLY W/BEARING & HANDRIM	WCA806948
8	REAR WHEEL HUBCAP, EACH	WCA806902
9	REAR WHEEL BEARING, SET*	WCA806957
10	AXLE AND NUT FOR REAR WHEEL, EXTRA WIDE CHAIR, EACH	WCA806952
11	FRONT CASTER FOR XW CHAIR, W/BEARINGS, AXLE, HARDWARE EACH, 2"	WCA806930XWW
11a	FRONT CASTER FOR XW CHAIR WITH BEARINGS, AXLE, 1.25"	WCA806930XW
12	FORK FOR FRONT CASTER, XW, 1.25"	WCA806931XW
13	BEARINGS FOR FRONT CASTER, XW, PAIR, 1.25"	WCA806935XW
14	STEM BEARING FOR FRONT CASTER, PAIR	WCA806950PR
15	DUST CAP, EACH	WCA806995
16	WHEEL LOCK ASSEMBLY PAIR (PULL TO LOCK)	WCA806990R
17	ELEVATING LEGREST, ALUMINUM FOOTPLATE, HEMI, PAIR	WCA806985HEMI
18	CALF PAD, NAVY, EACH	WCA806918NVY
19	BRACKET AND PLATFORM FOR CALF PAD	WCA806919
20	HANDGRIPS, PAIR	WCA806909
21	TUBE END CAP FOR REAR FRAME, EACH	WCA806904
22	SLIDE TUBE, XW, EACH	WCA806997
23	SEAT GUIDES SET FRONT & REAR, REMOVABLE ARM, SET	WCA806981
24	WHEEL LOCK HANDLE, BLACK RUBBER TIP, EACH (PULL TO LOCK)	WCA806907
25	BOLT, PIVOT ELR	WCA806985PB
26	AXLE AND HARDWARE FOR FRONT CASTER	WCA806933XW

*For wheelchairs with serial # starting w/A58 please contact tech support