

# SENTRA RECLINER

## SAME AS DR. K

1. Headrest Pillow 14" - STDS2010
- Headrest Pillow 22" - STDS2010-22

2. Headrest Assy w/o Pillow
  - 14" - STDS2A2914
  - 16" - STDS2012
  - 18" - STDS2011
  - 20" - STDS2A2920
  - 22" - STDS2A2922

- Headrest Upholstery 14" - STDS2A2904
- 16" - STDS2A2906
  - 18" - STDS2A2908
  - 20" - STDS2A2910
  - 22" - STDS2A2912

3. Headrest Post- STDS2550
4. Backrest Cane- STDS905
5. Recliner Release Lever Lt- STD4041 \*
- RT- STDS4040 \*

\* Does Not Include Cable.

6. Handgrip- STDS871
7. Spreader Bar 14"- STDS2A2924
  - 16"- STDS4S4809
  - 18"- STDS4S4810
  - 20"- STDS4S4811
  - 22"- STDS2A2932

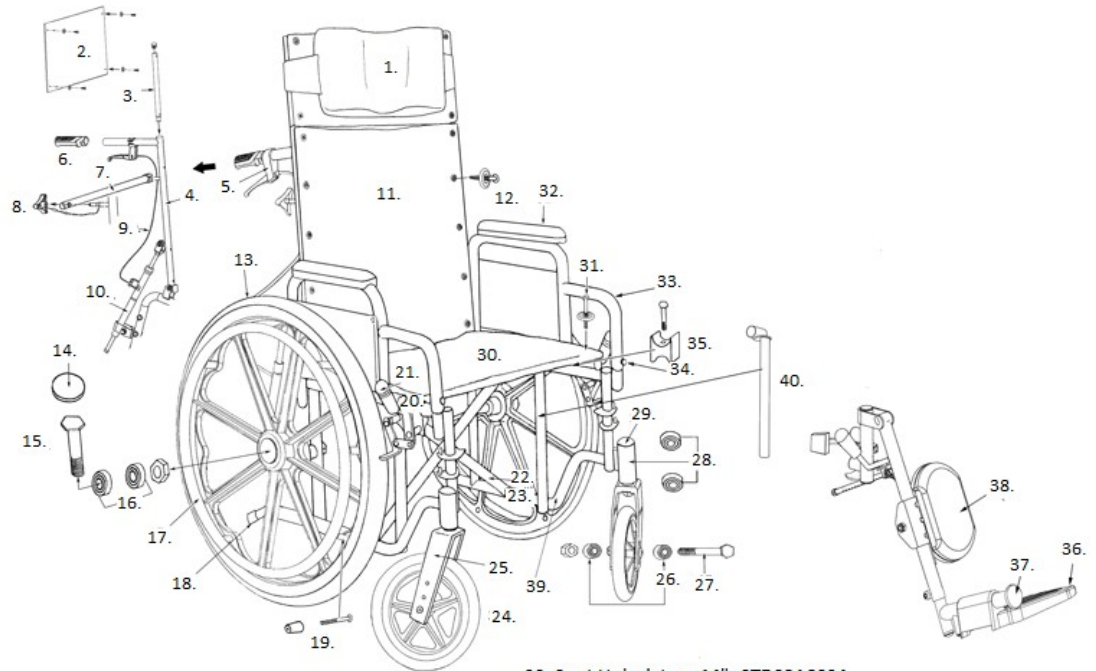
8. Knob- STDS900K
9. Cable- STDS3006
10. Reclining Cylinder Left- STDS4014L
- Right- STDS4014R

11. Back Upholstery 14"- STDS2A2944
  - 16"- STDS2295BLK
  - 18"- STDS2035BLK
  - 20"- STDS2327BLK
  - 22"- STDS2A2923
12. Back Upholstery Screws- STDS5D5504
13. Rear Wheel Black Handrim- STDS1006
- Chrome Handrim- STDS1000
- Aluminum Handrim- STDS1001
- 22" Recliner- STDS1000HD

14. Hub Cap- STDS1050
15. Rear Axle 14" to 20"- STDS1005-1
- 22"- STDS1052
16. Rear Wheel Bearing 14" to 20"- STDS1012
- 22"- STDS1012HD

17. Chrome Handrim- STDS004010
- Aluminum Handrim- STDS004011
- Black Handrim- STDS004012

18. Anti-Tipper w/o Wheels- STDS818
19. Handrim Hardware
  - with Rivnuts- STDS1073
  - w/o Rivnuts- STDS000021



20. Brake Left- STDS4035L
- Right- STDS4035R
21. Brake Tip- STDS4011
22. Cross Frame 14"- STDS2A2614
- 16"- STDS2A2616
- 18"- STDS2A2618
- 20"- STDS2A2620
- 22"- STDS2A2622
23. Cross Frame Bolt- STDS001061
24. Caster 14" to 20"- STDS1002
- 22"- STDS1075
25. Fork 14" to 20"- STDS3003
- 22"- STDS3045-2
26. Caster Bearing- STDS1011
27. Front Axle 14" to 20"- STDS1002-1
- 22"- STDS1014
28. Fork Stem Bearing
  - 14" to 20"- STDS1060
  - 22"- STDS8M4601
29. Dust Cap- STDS1051

30. Seat Upholstery 14"- STDS2A2934
- 16"- STDS2324BLK
- 18"- STDS2036BLK
- 20"- STDS2047BLK
- 22"- STDS2A2942
31. Seat Upholstery Screws (8 ea)- STDS1072-8
32. Arm Pad Desk - STDSDSKVB
- Full- STDSFLVB
33. Arm Assembly Desk LT- STDSDDASL
- RT- STDSDDASR
- Full LT- STDSDFASL
- RT- STDSDFASR
- Adj HT Desk LT- STDSADDASPL
- RT- STDSADDASPR
- Full LT- STSADFASPL
- RT- STSADFASPR
34. Arm Release Button- STDS5SB
35. Seat Saddle- STDS1M4002
36. Footplate- STDS00004A
37. Footrest Bumper- STDS1026
38. Calf Pad- STDS4Q2007BLK
39. Side Frame 14" to 20" Left- STDS2A291L
- Right- STDS2A291R
- 22" Left- STDS2A292L
- Right- STDS2A292R
40. Slide Tube- STDS2A2953

05/04/17